

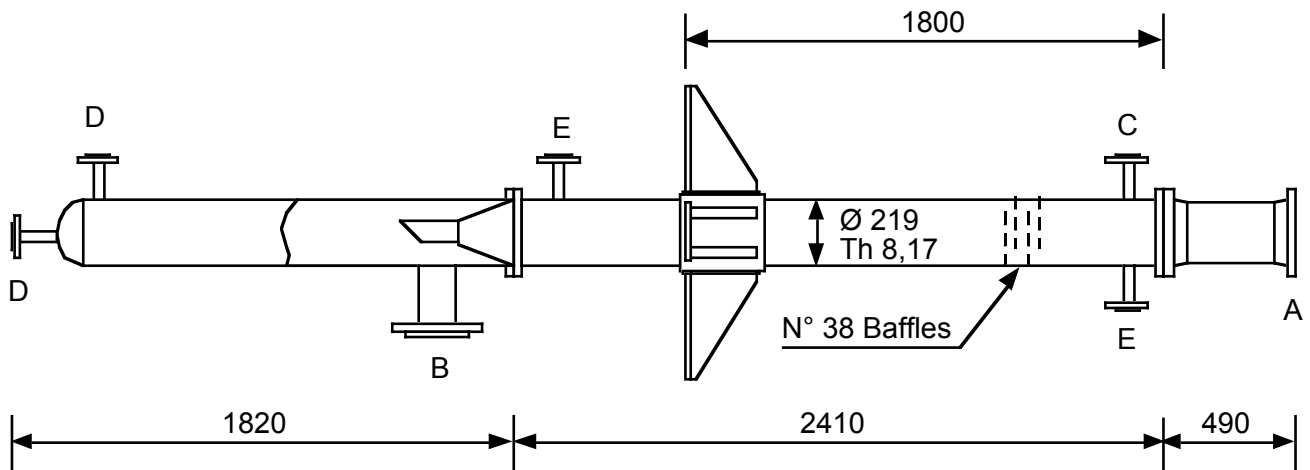
Carbon Steel Heat exchangers

Scambiatori di calore in acciaio al carbonio

COPRINOX

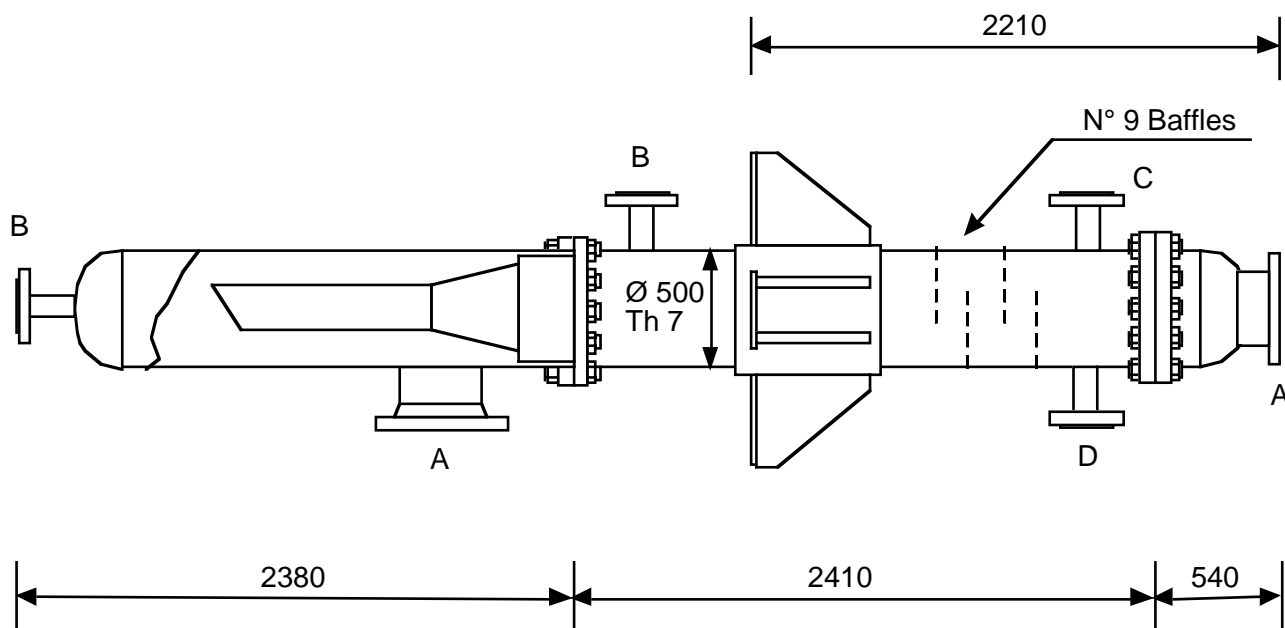
COPRINOX SPA, Via delle Industrie 2, 26862 Guardamiglio (LO), ITALY

Tel +39 0377 51209 Fax +39 0377 451114 email: info@coprinox.com web: www.coprinox.com

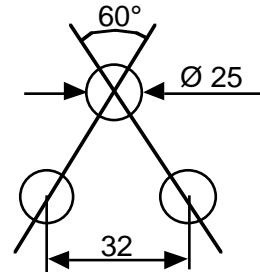
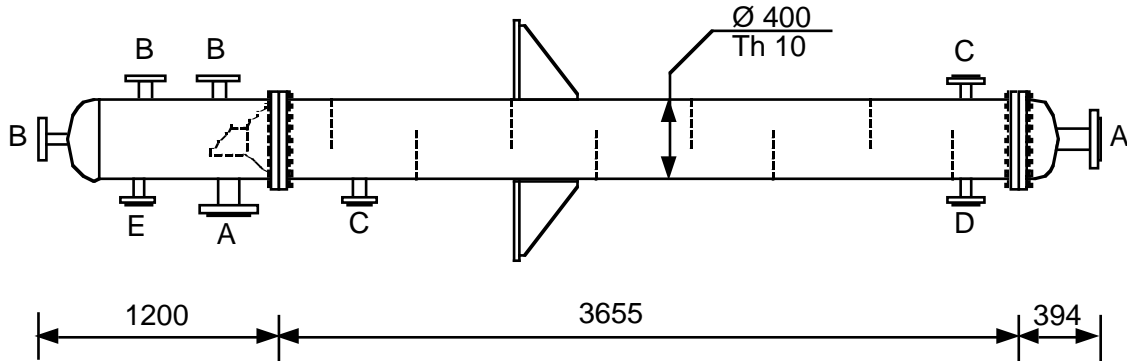


HEATING SURFACE m ² 2	TUBE SIDE	SHELL SIDE
Design Pressure KG/cm2	-1/+2	8,1
Design Temperature °C	50	90
Capacity liters	75	45
ANCC or ISPESL certification: NOT	NOZZLE DIMENSIONS	
Shell side traverse baffles n° 38	Pos	Service
Tube side passes n° 1	A	
TUBE O.D. 38,1	B	
TUBE THICKNESS 2,78	C	
TUBE N° 7	D	
TUBE EXPAND <input checked="" type="checkbox"/>	E	
TUBE WELDED <input type="checkbox"/>		Size inch.
EXPANSION JOINT <input type="checkbox"/>		8"
MATERIALS		4"
SHEEL C.Steel		1"1/2
TUBES C.Steel		1"
TUBESHEET C.Steel		3/4"
HEAD BONNET OR CHANNEL C.Steel		
WEIGHT (approx) Kg 420		
MANUFACTURER: OPT-SIR		
NOTE		

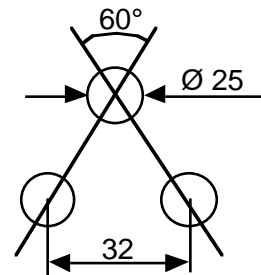
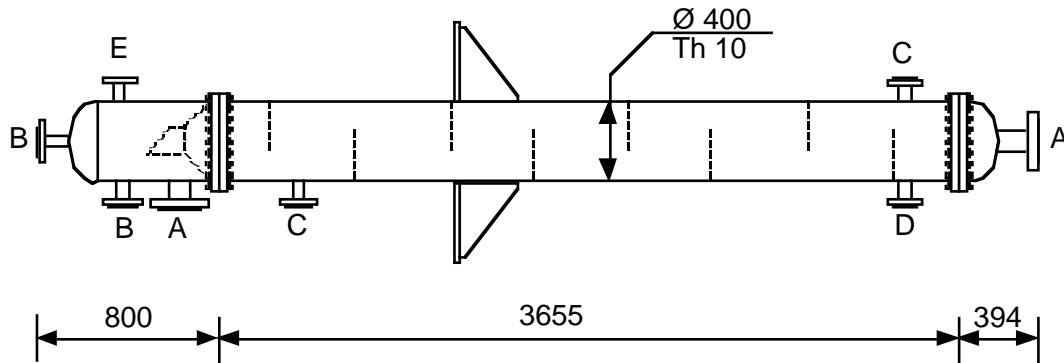
- USED
- USED RECONDITIONED
- UNUSED



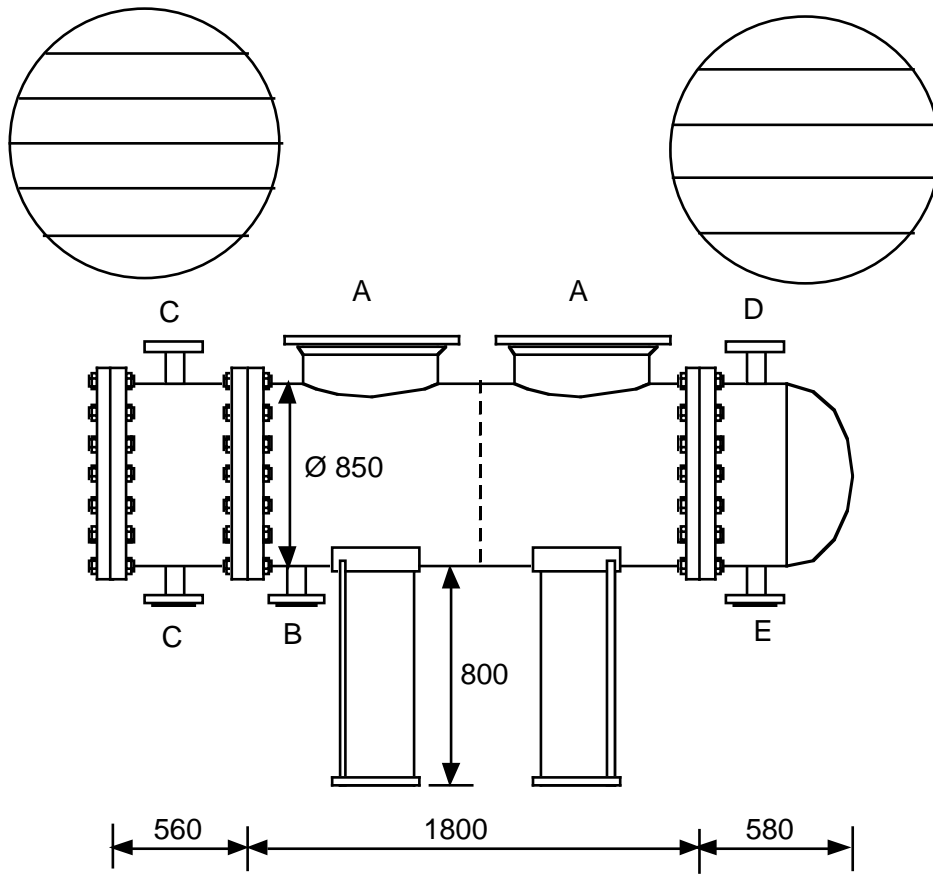
HEATING SURFACE m ² 18	TUBE SIDE	SHELL SIDE
Design Pressure KG/cm ²	-1/+2	6
Design Temperature °C	-10	+40
Capacity liters	635	245
ANCC or ISPEL certification: NOT	NOZZLE DIMENSIONS	
Shell side traverse baffles n° 9	Pos	Service
Tube side passes n° 1	A	
TUBE O.D. 38,1	B	10"
TUBE THICKNESS 3,4	C	1"
TUBE N° 73	D	3/4"
TUBE EXPAND <input checked="" type="checkbox"/>	E	
TUBE WELDED <input type="checkbox"/>	VERTICAL <input checked="" type="checkbox"/>	
EXPANSION JOINT <input type="checkbox"/>	ORIZZONTAL <input type="checkbox"/>	
MATERIALS		
SHELL C.Steel	FLOATING HEAD <input type="checkbox"/>	
TUBES C.Steel	U - TUBE BUNDLE <input type="checkbox"/>	
TUBESHEET C.Steel	KETTLE <input type="checkbox"/>	
HEAD BONNET OR CHANNEL C.Steel	<input type="checkbox"/> USED <input type="checkbox"/> USED RECONDITIONED <input checked="" type="checkbox"/> UNUSED	
WEIGHT (approx) Kg 1750	NOTE	
MANUFACTURER: OPT-SIR		



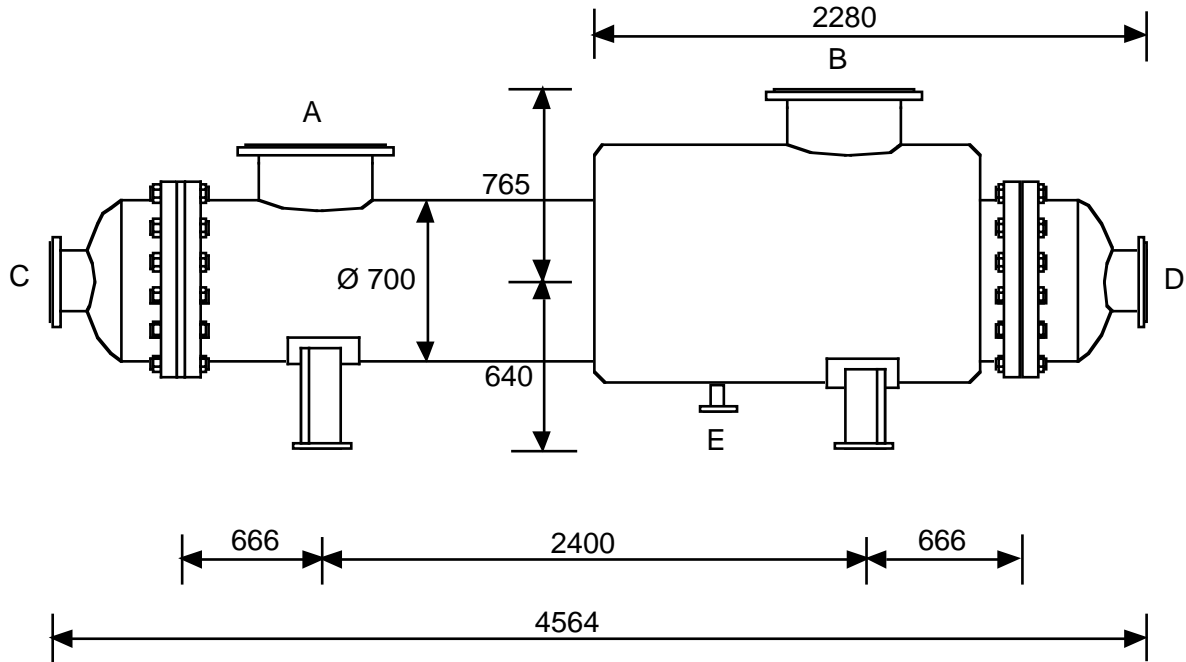
HEATING SURFACE m ² 21		TUBE SIDE		SHELL SIDE	
Design Pressure KG/cm ²		9,1		ATM	
Design Temperature °C		0		-10	
Capacity liters		262		287	
ANCC or ISPEL certification: ML 35949		NOZZLE DIMENSIONS			
Shell side traverse baffles n° 8		Pos	Service	Size inch.	
Tube side passes n° 1		A		4"	
TUBE O.D. 25		B		2"	
TUBE THICKNESS 2		C		1"	
TUBE N° 81		D		3/4"	
TUBE EXPAND <input checked="" type="checkbox"/>		E		1"	
TUBE WELDED <input type="checkbox"/>		VERTICAL <input checked="" type="checkbox"/>			
EXPANSION JOINT <input type="checkbox"/>		ORIZZONTAL <input type="checkbox"/>			
MATERIALS		FLOATING HEAD <input type="checkbox"/>			
SHEEL C.Steel		U - TUBE BUNDLE <input type="checkbox"/>			
TUBES C.Steel		KETTLE <input type="checkbox"/>			
TUBESHEET C.Steel		<input type="checkbox"/> USED <input type="checkbox"/> USED RECONDITIONED <input checked="" type="checkbox"/> UNUSED			
HEAD BONNET OR CHANNEL C.Steel					
WEIGHT (approx) Kg 1500		NOTE		N,N	
MANUFACTURER: F.Ili Delfino					



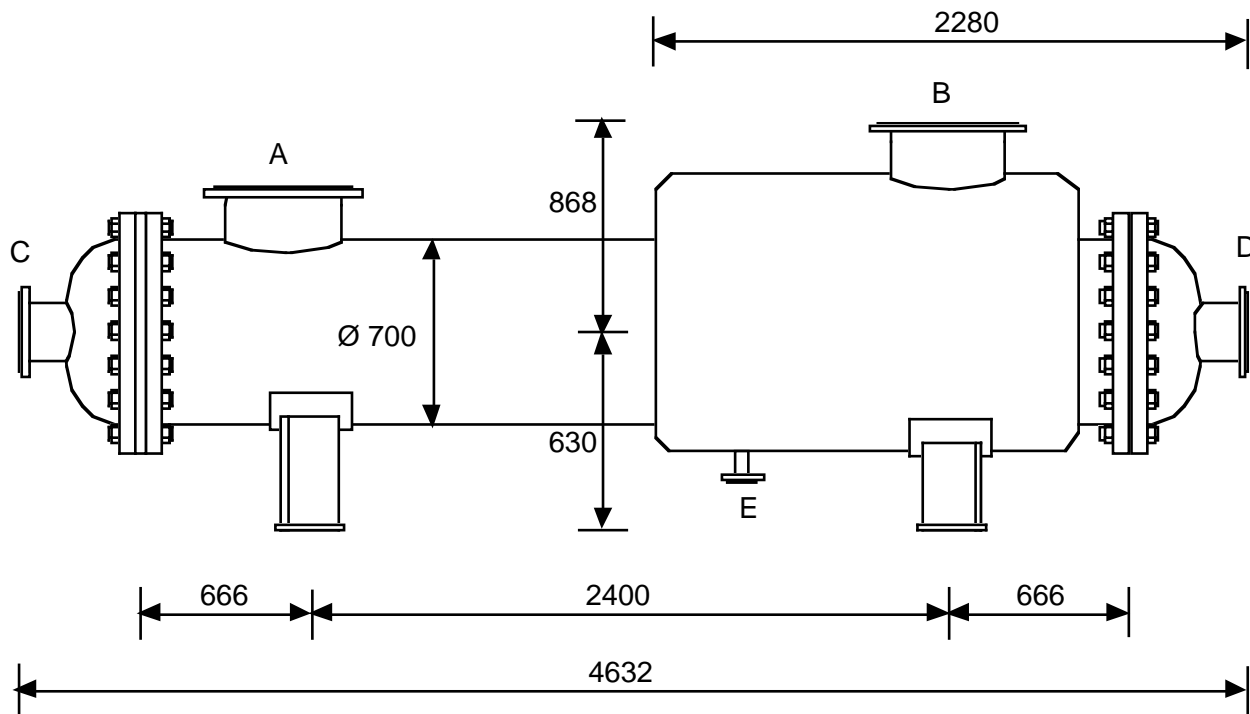
HEATING SURFACE m ² 21	TUBE SIDE	SHELL SIDE
Design Pressure KG/cm ²	9,1	2
Design Temperature °C	0	-10
Capacity liters	262	287
ANCC or ISPEL certification: ML 35950	NOZZLE DIMENSIONS	
Shell side traverse baffles n° 8	Pos	Service
Tube side passes n° 1	A	
TUBE O.D. 25	B	4"
TUBE THICKNESS 2	C	2"
TUBE N° 81	D	1"
TUBE EXPAND <input checked="" type="checkbox"/>	E	3/4"
TUBE WELDED <input type="checkbox"/>		1"
EXPANSION JOINT <input type="checkbox"/>		
MATERIALS	VERTICAL <input checked="" type="checkbox"/>	
SHEEL C.Steel	ORIZZONTAL <input type="checkbox"/>	
TUBES C.Steel	FLOATING HEAD <input type="checkbox"/>	
TUBESHEET C.Steel	U - TUBE BUNDLE <input type="checkbox"/>	
HEAD BONNET OR CHANNEL C.Steel	KETTLE <input type="checkbox"/>	
WEIGHT (approx) Kg 1500	<input type="checkbox"/> USED	
MANUFACTURER: F.Ili Delfino	<input type="checkbox"/> USED RECONDITIONED	
	<input checked="" type="checkbox"/> UNUSED	
	NOTE	



HEATING SURFACE m ² 32	TUBE SIDE	SHELL SIDE																		
Design Pressure KG/cm2 Design Temperature °C Capacity liters	270	670																		
ANCC or ISPESEL certification: NOT Shell side traverse baffles n° 1 Tube side passes n° 10	NOZZLE DIMENSIONS																			
TUBE O.D. 25 TUBE THICKNESS 2 TUBE N° 250 TUBE EXPAND <input checked="" type="checkbox"/> TUBE WELDED <input type="checkbox"/> EXPANSION JOINT <input type="checkbox"/>	<table border="1" style="width:100%; border-collapse: collapse;"> <thead> <tr> <th style="width:10%;">Pos</th> <th style="width:70%;">Service</th> <th style="width:20%;">Size inch.</th> </tr> </thead> <tbody> <tr> <td>A</td> <td></td> <td>24"</td> </tr> <tr> <td>B</td> <td></td> <td>1"1/2</td> </tr> <tr> <td>C</td> <td></td> <td>1"1/2</td> </tr> <tr> <td>D</td> <td></td> <td>1"</td> </tr> <tr> <td>E</td> <td></td> <td>3/4"</td> </tr> </tbody> </table>	Pos	Service	Size inch.	A		24"	B		1"1/2	C		1"1/2	D		1"	E		3/4"	VERTICAL <input type="checkbox"/> ORIZZONTAL <input checked="" type="checkbox"/> FLOATING HEAD <input type="checkbox"/> U - TUBE BUNDLE <input type="checkbox"/> KETTLE <input type="checkbox"/>
Pos	Service	Size inch.																		
A		24"																		
B		1"1/2																		
C		1"1/2																		
D		1"																		
E		3/4"																		
MATERIALS	<input type="checkbox"/> USED <input type="checkbox"/> USED RECONDITIONED <input checked="" type="checkbox"/> UNUSED																			
SHEEL C.Steel TUBES C.Steel TUBESHEET C.Steel HEAD BONNET OR CHANNEL C.Steel	NOTE																			
WEIGHT (approx) Kg 3850	MANUFACTURER: _____																			



HEATING SURFACE m ² 300		TUBE SIDE		SHELL SIDE	
Design Pressure KG/cm ²		6		3	
Design Temperature °C		99		200	
Capacity liters		Liquid		Gas	
ANCC or ISPESEL certification: TUV		NOZZLE DIMENSIONS			
Shell side traverse baffles n° 4		Pos	Service	Size inch.	
Tube side passes n° 1		A	Gas outlet	20"	
		B	Gas inlet	20"	
		C	Liquid outlet	5"	
		D	Liquid inlet	5"	
		E	Condensate outlet	3/4"	
TUBE O.D. 19,05		VERTICAL <input type="checkbox"/>			
TUBE THICKNESS 1,06		ORIZZONTAL <input checked="" type="checkbox"/>			
TUBE N° 528		FLOATING HEAD <input type="checkbox"/>			
TUBE EXPAND <input checked="" type="checkbox"/>		U - TUBE BUNDLE <input type="checkbox"/>			
TUBE WELDED <input type="checkbox"/>		KETTLE <input type="checkbox"/>			
EXPANSION JOINT <input type="checkbox"/>		<input type="checkbox"/> USED <input type="checkbox"/> USED RECONDITIONED <input checked="" type="checkbox"/> UNUSED			
MATERIALS					
SHEEL C.Steel		NOTE Fascio tubiero estraibile IZ			
TUBES Fe+CU/NI 70-30					
TUBESHEET Fe+CU/NI 70-30					
HEAD BONNET OR CHANNEL Ebon.Id					
WEIGHT (approx) Kg 3210					
MANUFACTURER: POGGI E LEGNANI					



HEATING SURFACE m ² 365	TUBE SIDE	SHELL SIDE
Design Pressure KG/cm ²	6	3
Design Temperature °C	99	200
Capacity liters	Liquid	Gas
ANCC or ISPESEL certification: TUV	NOZZLE DIMENSIONS	
Shell side traverse baffles n° 3	Pos	Service
Tube side passes n° 1	A	Gas outlet
	B	Gas inlet
	C	Liquid outlet
	D	Liquid inlet
	E	Condensate outlet
		Size inch.
		20"
		20"
		5"
		5"
		3/4"
	VERTICAL <input type="checkbox"/>	
	ORIZZONTAL <input checked="" type="checkbox"/>	
	FLOATING HEAD <input type="checkbox"/>	
	U - TUBE BUNDLE <input type="checkbox"/>	
	KETTLE <input type="checkbox"/>	
	<input type="checkbox"/> USED	
	<input type="checkbox"/> USED RECONDITIONED	
	<input checked="" type="checkbox"/> UNUSED	
MATERIALS	NOTE	
SHEEL C.Steel		
TUBES Fe+CU/NI 70-30		
TUBESHEET Fe+CU/NI 70-30		
HEAD BONNET OR CHANNEL Ebon.Id		
WEIGHT (approx) Kg 3660		
MANUFACTURER: POGGI E LEGNANI		



COPRINOX

Tel: +39 0377 51209

Fax: +39 0377 451114

Email: info@coprinox.com

Address:

Coprinox SpA

Via delle Industrie 2

26862 Guardamiglio (LODI)

ITALY